



Kingspan | **LOGSTOR**

UPDATE REGARDING LOGSTOR PRODUCT PROGRAM

It's once again time for new updates.

Below, please find our Product info No. 7 - 2023 with following updates:

- Time limit for use of foam packs is extended to 18 months
- BandJoint 90 – 200 mm, change of adjusting screws for the depth guard
- Merge pipe for AluFlextra
- Service valves from Vexve, material on the indicator changed

Should you have any questions, please contact your usual LOGSTOR contact person or the undersigned.

Best regards
Kingspan LOGSTOR

Peter Jorsal
Product & Academy Manager

 **Kingspan** | **LOGSTOR**

Time limit for use of foam packs is extended to 18 months

Today we declare that foam packs have a limit for use of 12 months counted from the stated production week, provided they are stored correctly.

Together with our supplier of the chemicals for foam packs, we have done thorough tests to investigate the possibility of extending the limit for use of foam packs:

- Installation of a high number of foam packs in different sizes after 18 months in stock
- Test of reaction time and density
- Comparison to installation of new produced foam packs

We are happy to inform you that the result of this is that from now we will declare that foam packs have a limit for use of 18 months counted from the stated production week. This of course depends on that foam packs are stored under the right conditions at 18 – 24 °C as described in our Handling & Installation Manual.

The reaction time of the foaming process will be slightly faster for a foam pack after 18 months compared to a new foam pack.

Our Product Catalogue and Handling & Installation Manual will be updated in Q4, 2023.



Please observe that can foam (10 kg cans) will remain unchanged with a limit for use of 12 months counted from the stated production week.

Reminder about new requirements in the EU about mandatory training for everyone who works with Isocyanate

It is a requirement in all EU countries that everyone who works with Isocyanate must complete training in accordance with REACH/ISOPA valid from 24 August 2023.

Please see LOGSTOR Product info No. 3 – 2023, <https://www.logstor.com/service-support/product-info>.

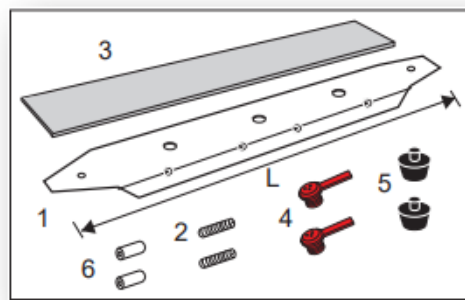
BandJoint 90 – 200 mm, change of adjusting screws for the depth guard

In a couple of months, we plan to introduce a new flexible pressure tool based on air pressure for BandJoints dimension 90 – 200 mm.

As this will increase the pressure in the welding zone for the longitudinal welding, we have a need for increased strength of the adjusting screws being used for the depth guard.

The adjusting screws have until recently been made of PPS material, but these are not strong enough for the flexible pressure tool with air pressure.

Therefore, adjustments screws are changed to 70 mm long steel screws inclusive insulator feet.



The change has already taken place.

The Weld Joint Manual and the Product Catalogue will be updated during Q4, 2023.

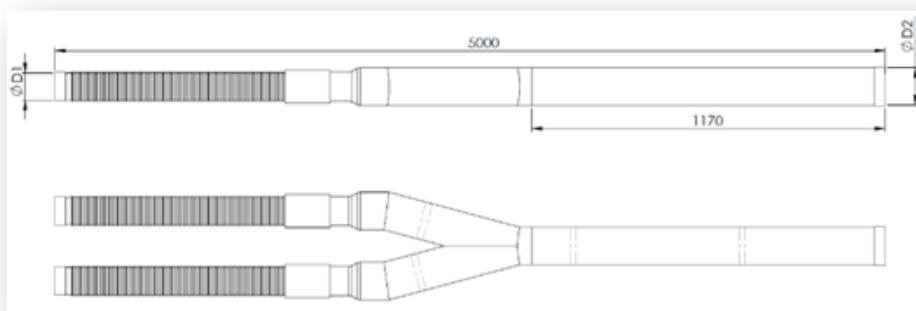
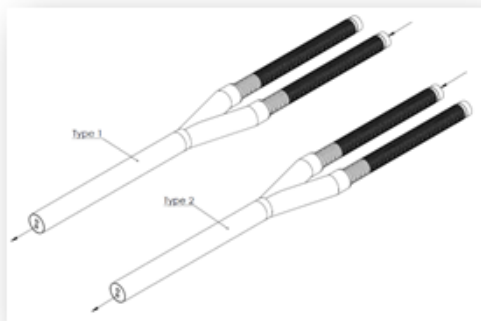
Merge pipe for AluFlextra

Until now we have had merge pipes for AluFlextra in lengths 2775 mm and 5000 mm in different insulation series and types 1 and 2.

To reduce complexity, we will introduce a simpler program for the merge pipe for AluFlextra:

- All merge pipes for AluFlextra will have a length 5000 mm
- The casing dimension of the TwinPipe part will be 125 mm for all service pipe dimensions
- The casing dimension of the single pipe part will be 110 mm for all service pipe dimensions
- The single pipe part is AluFlextra with the corrugated casing
- Service pipe dimensions will be 20, 26 and 32 mm
- Merge pipes will be available as type 1 and type 2
- Component No. 3071

Please see the layout drawings below:



Our cross-linked casing joints can as a standard handle reduction on the casing dimension if the AluFlextra connected to the merge pipe have different casing dimensions.

We will start selling the new type of merge pipe when we have sold the stock of the old types.

We will include the new merge pipe for AluFlextra in our Product Catalogue during Q4, 2023.

Vexve service valves, material on indicator changed to composite material

LOGSTOR Standard pre-insulated valves are either with Broen or Vexve isolation valves respectively Broen or Vexve service valves when the pre-insulated valve is with one or two service valves.

Vexve has changed the material of the indicator on the service valve to a composite material.

See below pictures of an old and new version of the service valve from Vexve.



Indicator of composite material

The function and lifetime of the service valve are not affected by this change.



For the product offering in other markets please contact your local sales representative or visit www.logstor.com
Care has been taken to ensure that the contents of this publication are accurate, but Kingspan Limited and its subsidiary companies do not accept responsibility for errors or for information that is found to be misleading.
Suggestions for, or description of, the end use or application of products or methods of working are for information only and Kingspan Limited and its subsidiaries accept no liability in respect thereof. To ensure you are viewing the most recent and accurate product information, please scan the QR code directly above.